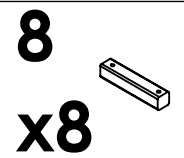
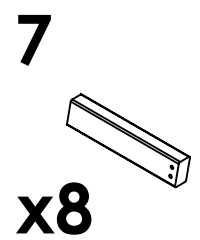
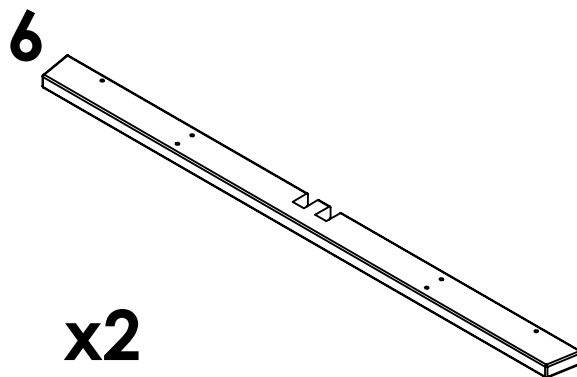
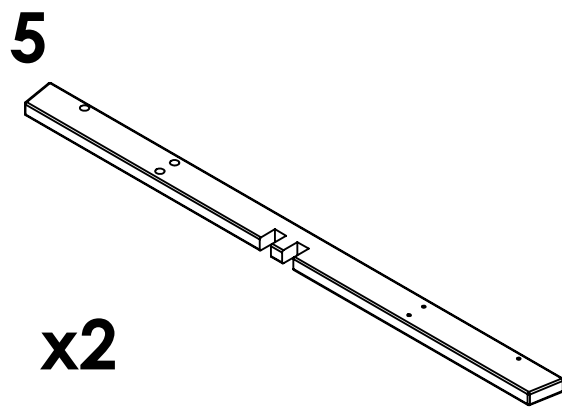
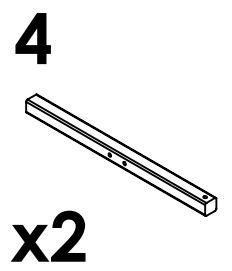
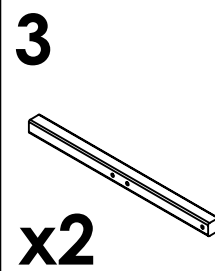
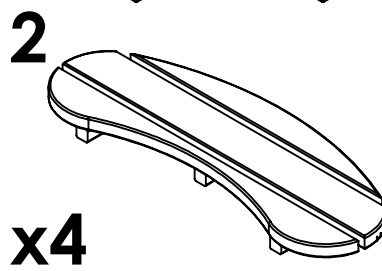
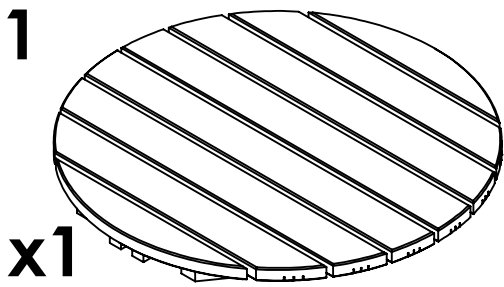
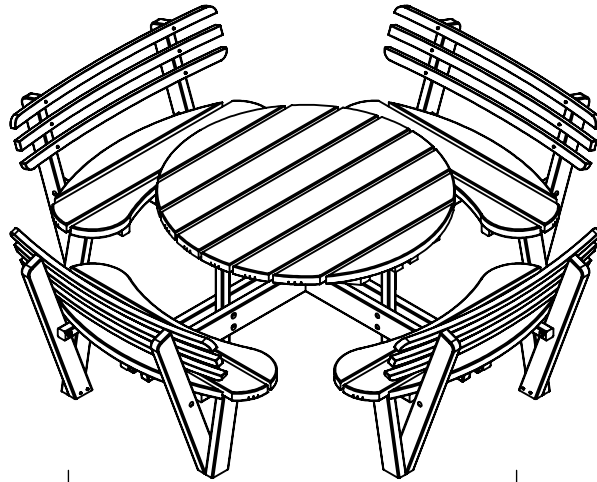
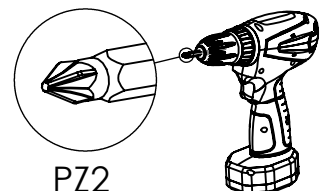
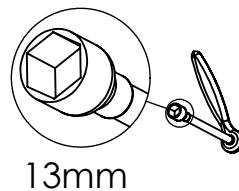


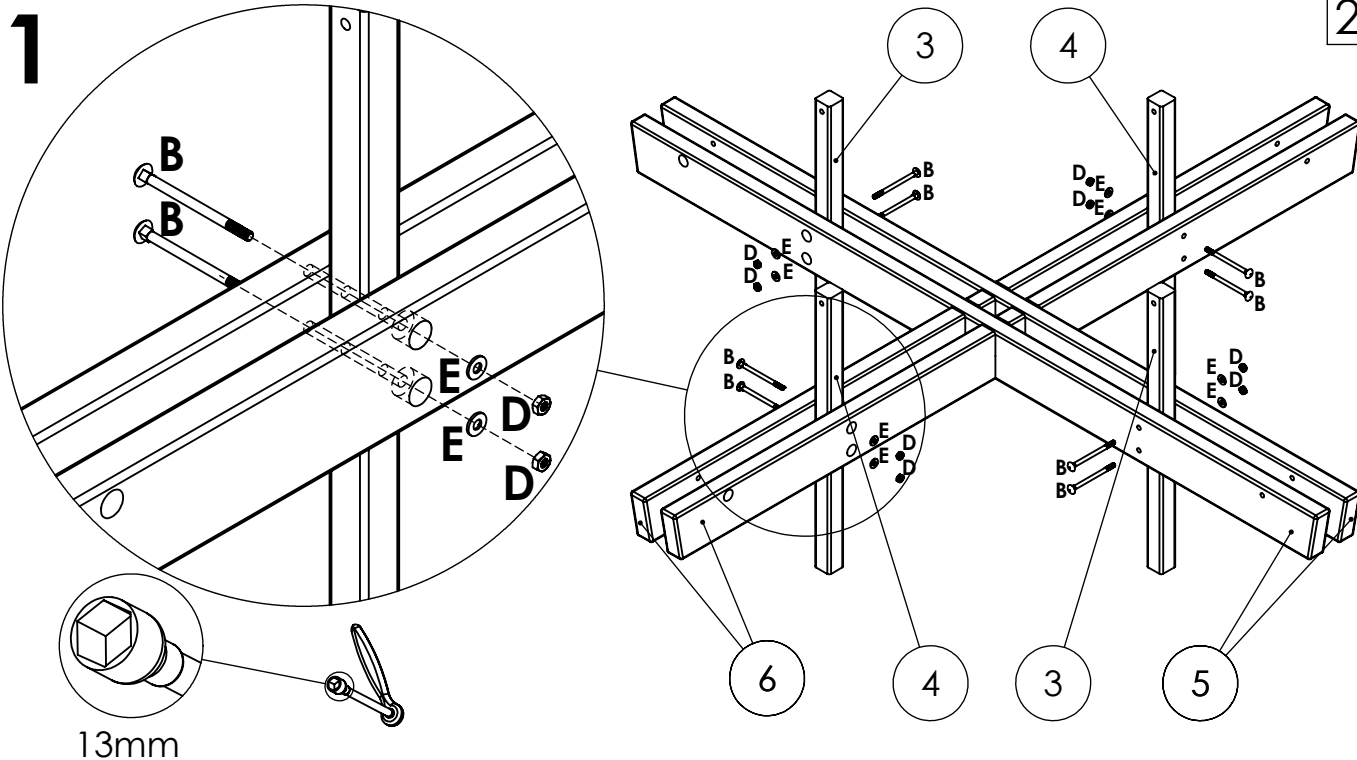
253023

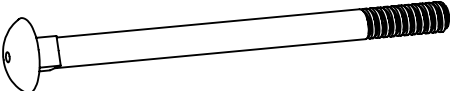




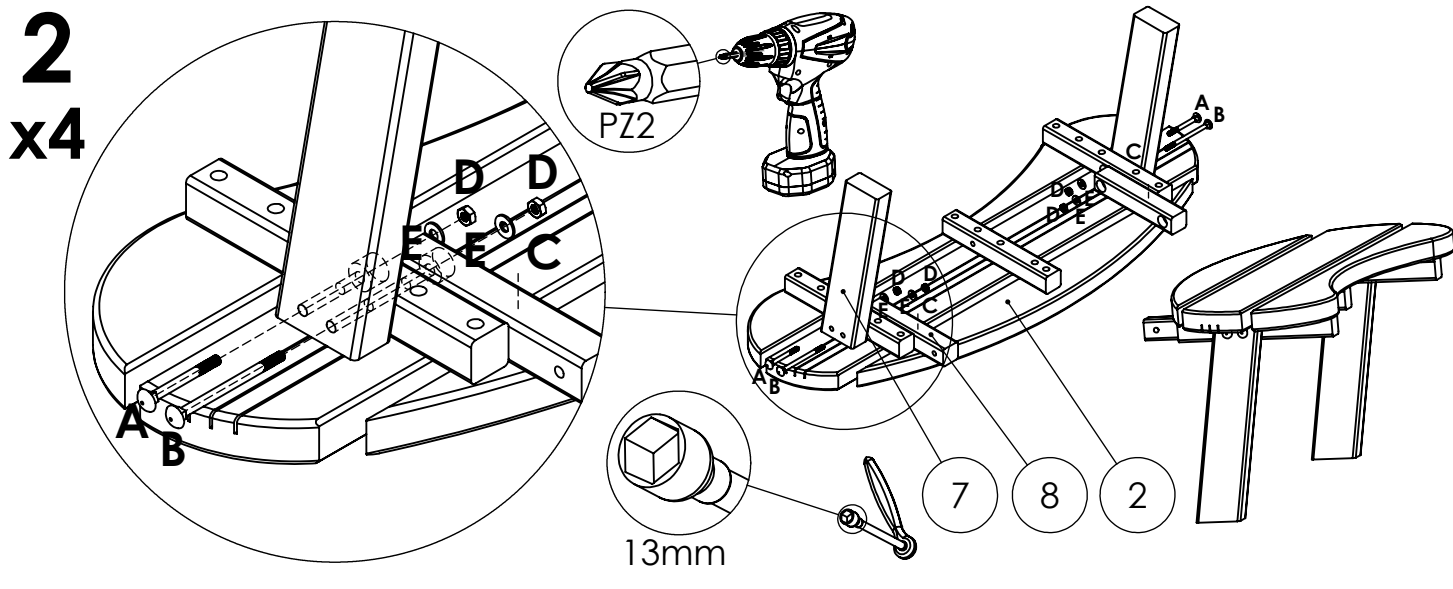
A		M8x80	x18	9	
B		M8x120	x22	x8	
C		5x50	x32	10	
D		M8	x40	x4	
E		M8	x40	11	
F		5x70	x16	x8	

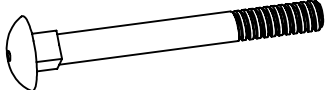
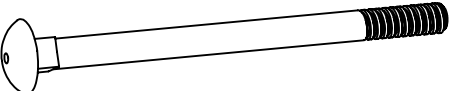
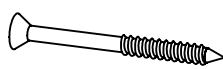


IMPORTANT!
Do not tighten screws during assembly.
All screws must be tightened up only
at the end of assembly.



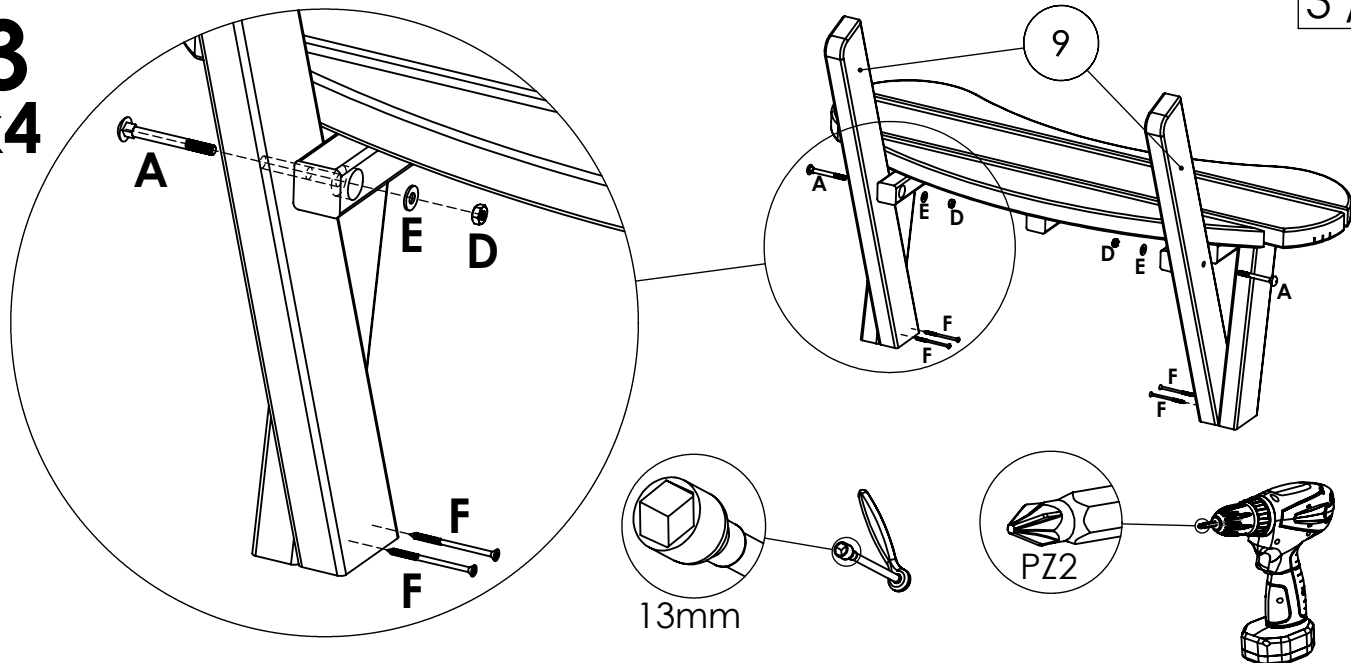


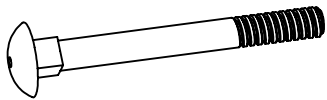



B		M8x120	x8
D		M8	x8
E		M8	x8



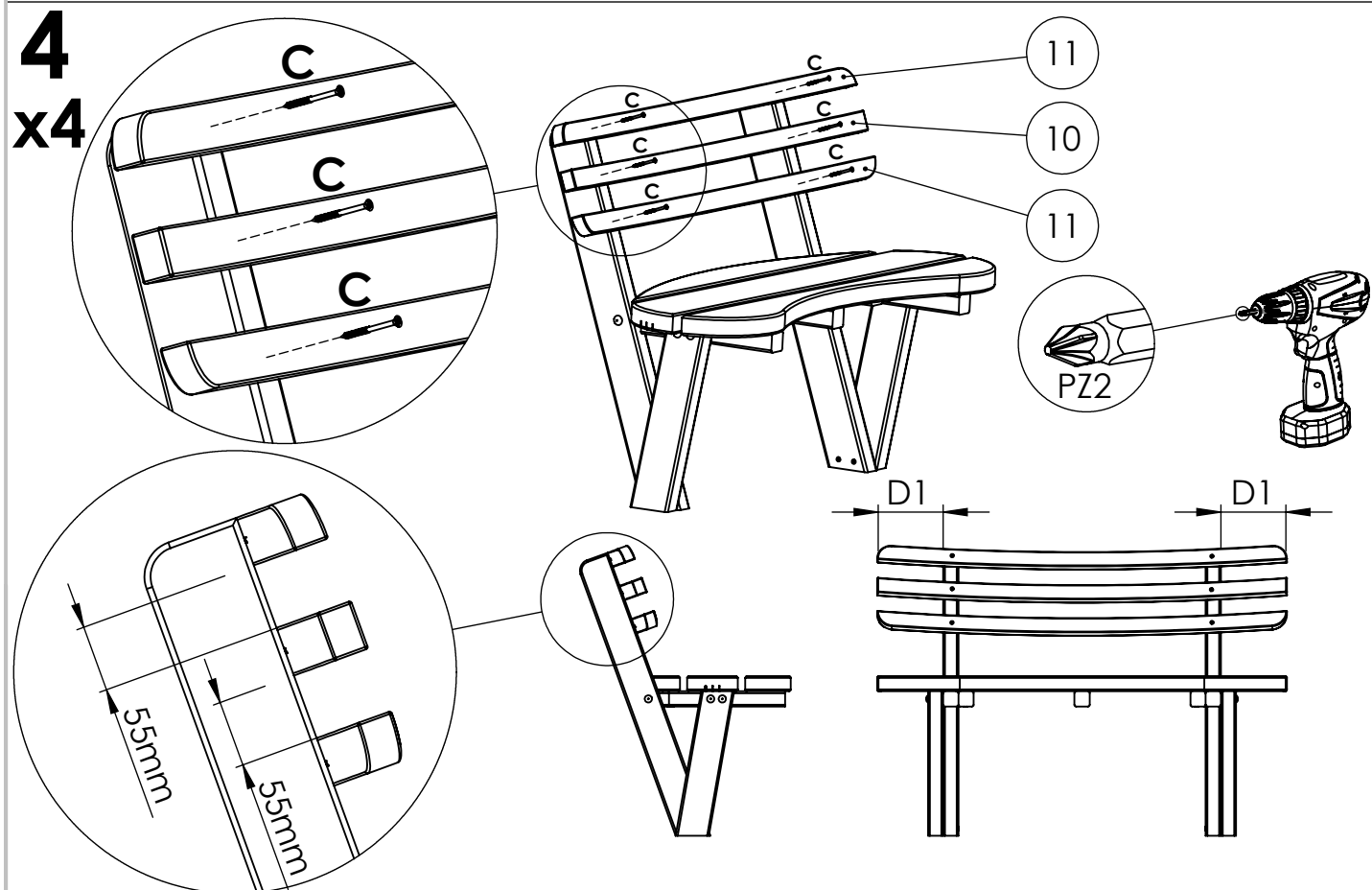
A		M8x80	x8
B		M8x120	x8
C		5x50	x8
D		M8	x16
E		M8	x16

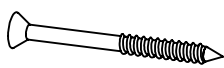
**3
x4**



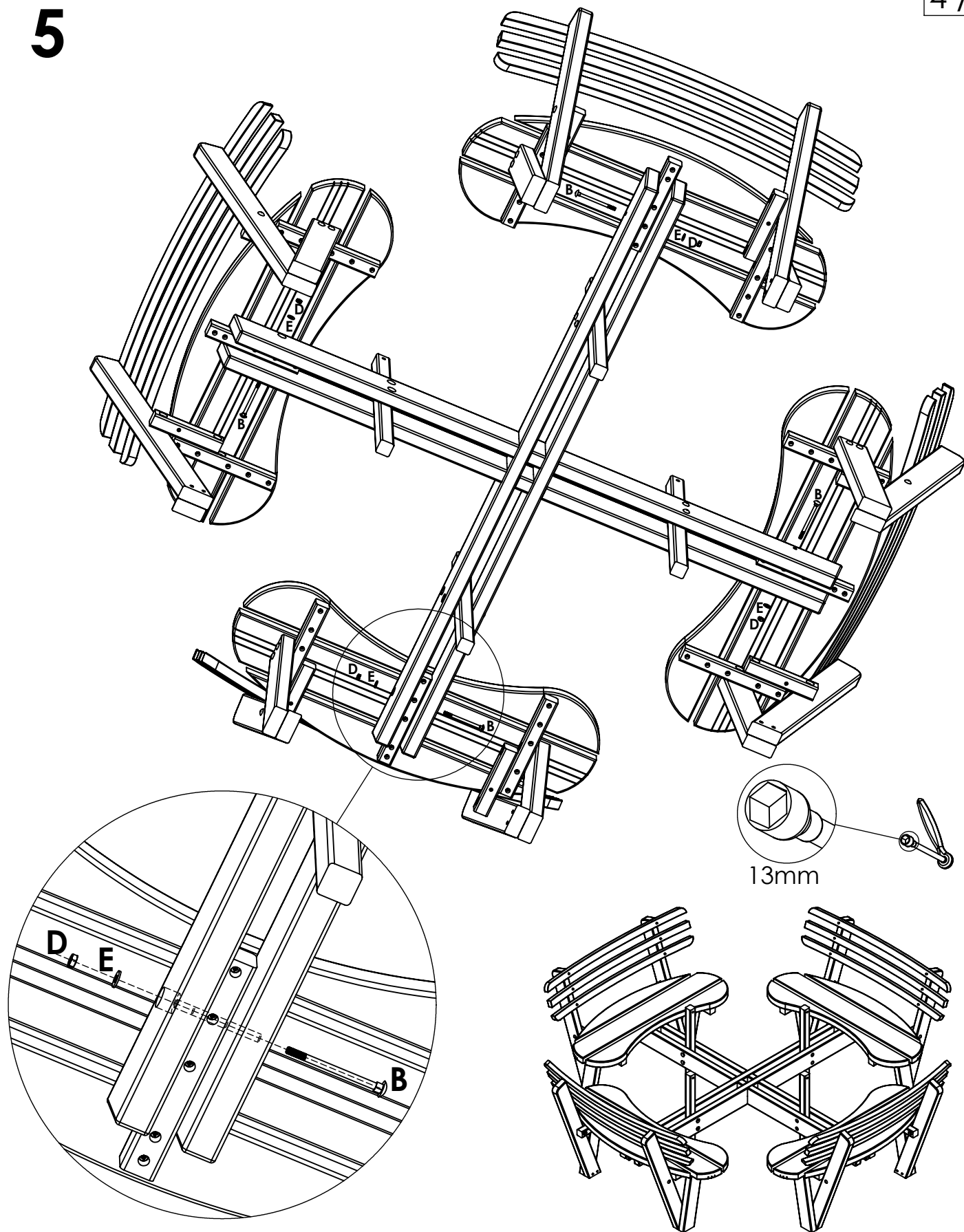
A		M8x80	x8
D		M8	x8
E		M8	x8
F		5x70	x16

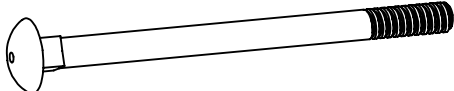


**4
x4**

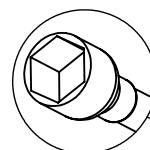
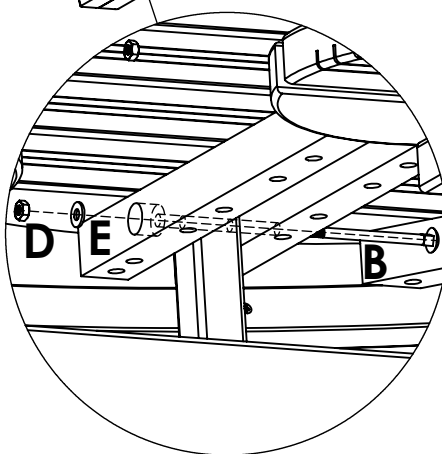
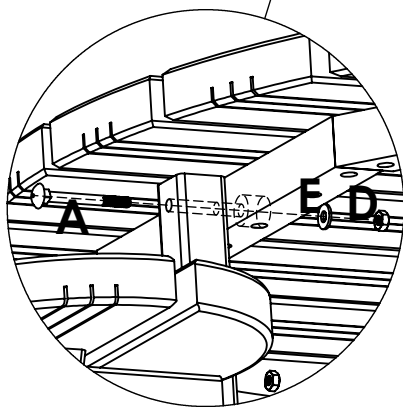
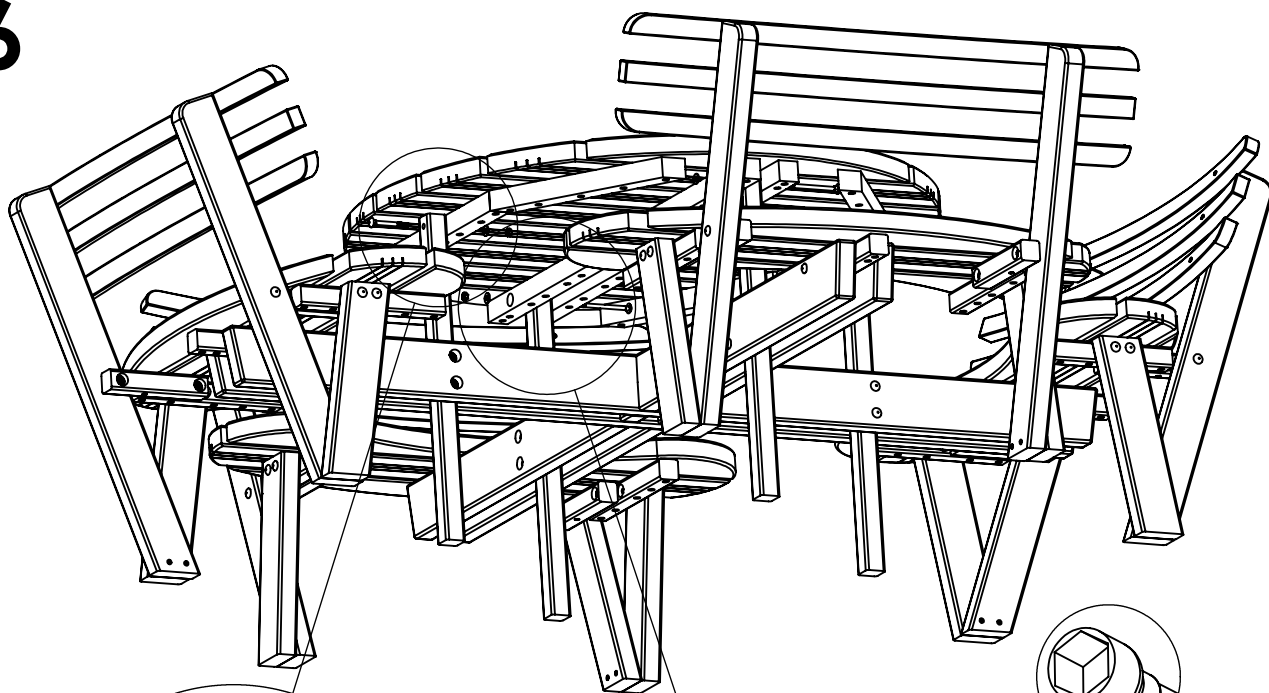


C		5x50	x24
----------	---	-------------	------------

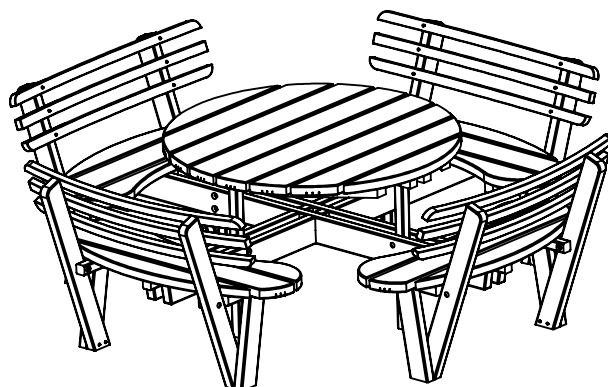
5

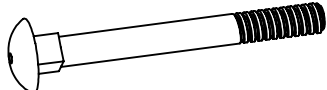
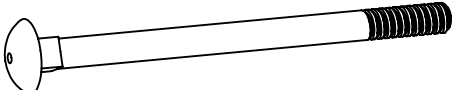




<p>B</p>		<p>M8x120</p>	<p>x4</p>
<p>D</p>		<p>M8</p>	<p>x4</p>
<p>E</p>		<p>M8</p>	<p>x4</p>



13mm



A		M8x80	x2
B		M8x120	x2
D		M8	x4
E		M8	x4